

Versatility, protection and simplicity

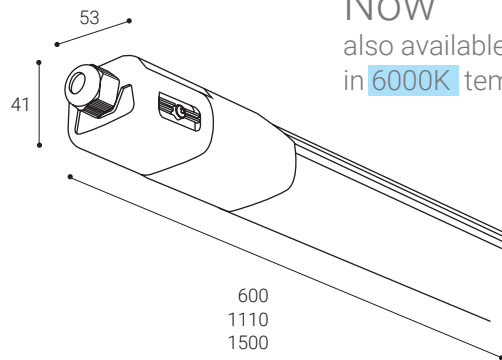
Industrial

IP66 Fittings

Hermetic Avant

NEW

CE LED IP 66 IK 08 CRI >80 140° IP 66



Now
also available
in 6000K temperature

New range of waterproof screens with IP66 from Normalit.

It has three different sizes, covering a lighting range that goes from 2250 lm to 8250 lm.

NORMALIT

Technical and architectural lighting
normalit.com



IP66 Fittings

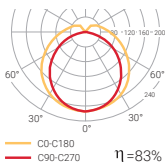
Hermetic Avant

Made of white polycarbonate in three lengths, it stands out for its advanced installation system that allows for faster and easier assembly. In addition, the opalized LED diffuser of this range guarantees excellent light quality with 0 risk for visual health and optimal performance for 24 continuous hours.

HERMETIC AVANT stands out for its lightness and size, based on a compact design with a reduced profile and high-quality finishes.

Available in three different lengths:

- DV18: 600 mm.
- DV36: 1110 mm.
- DV60: 1500 mm.



Hermetic Avant	
Installation	Ceiling surface mounted Wall surface mounted
Diffuser	○
Light source	LED
Photobiological safety	0
UGR	22
CRI	>80
MacAdam ellipse	5
Beam angle range	140
Power range (W)	17,8 - 54,00
Colour temperature (K)	4000 6000
Light range	2250 - 8250
Power factor	0,95
Efficiency (%)	83
Expectancy	54.000 h L70B10
DALI Option	-
Continuous function 24h	✓
IP	66
IK	08
Class	II

○ Opal diffuser

THREE LENGTHS

DV18 | L=600



DV36 | L=1110



DV60 | L=1500



Ceiling surface mounted



Wall surface mounted



Expectancy
54000 h.
L70B10

Efficiency (%)
83

Photobiological safety

RG0	0 Risk free
RG1*	Low risk
RG2	Moderate risk
RG3	High risk

○ RAL 9016

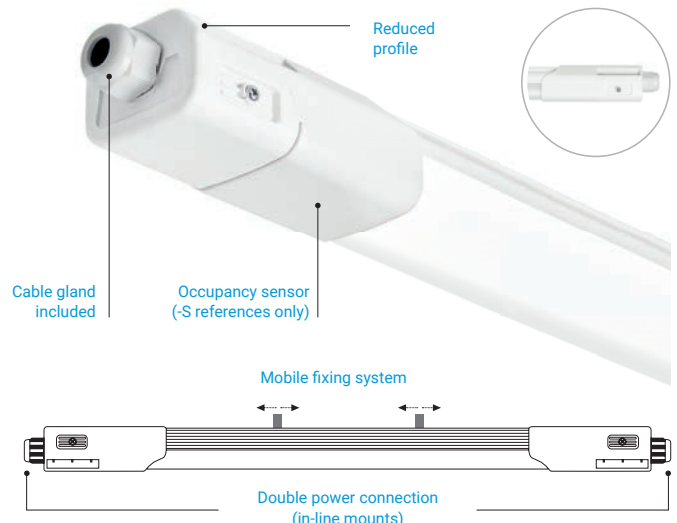
* Time less than 3 h. staring at the light source

WITHOUT PRESENCE SENSOR

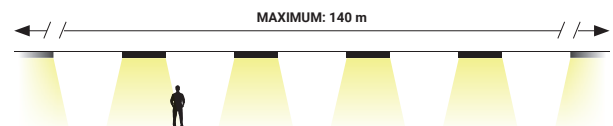
REF.	W	K	LUMEN	⊙	L(mm)
DV18	17,8	4000	2250	○	600
DV18-6	17,8	6000	2475	○	600
DV36	32,4	4000	4500	○	1110
DV36-6	32,4	6000	4950	○	1110
DV60	54,0	4000	7500	○	1500
DV60-6	54,0	6000	8250	○	1500

WITH PRESENCE SENSOR

REF.	W	K	LUMEN	⊙	L(mm)
DV18S	17,8	4000	2250	○	600
DV18S-6	17,8	6000	2475	○	600
DV36S	32,4	4000	4500	○	1110
DV36S-6	32,4	6000	4950	○	1110
DV60S	54,0	4000	7500	○	1500
DV60S-6	54,0	6000	8250	○	1500



MAXIMUM NUMBER OF LUMINAIRES ACCORDING TO MODEL



MODEL	MAXIMUM UNITS	TOTAL MAXIMUM POWER
DV18 / DV18S	22	396 W
DV36 / DV36S	11	396 W
DV60 / DV60S	7	420 W

140 meters of maximum line connection length, for a cable with a 1.5 mm section.

SENSOR SETTINGS

SENSIBILITY	100%	75%	50%	25%
TIME	10 sg	1 min	5 min	15 min
LUMINOSITY	10 lux	30 lux	50 lux	OFF