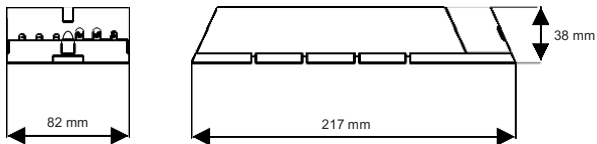
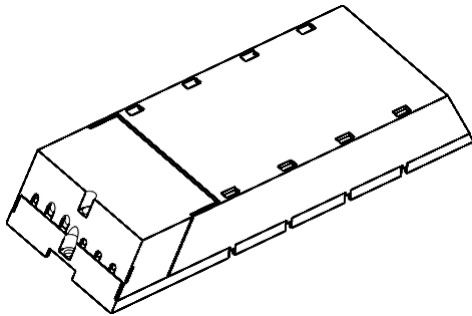


BT-Z

Data sheet

Saluz bluetooth module

Ref. BT-Z



General description

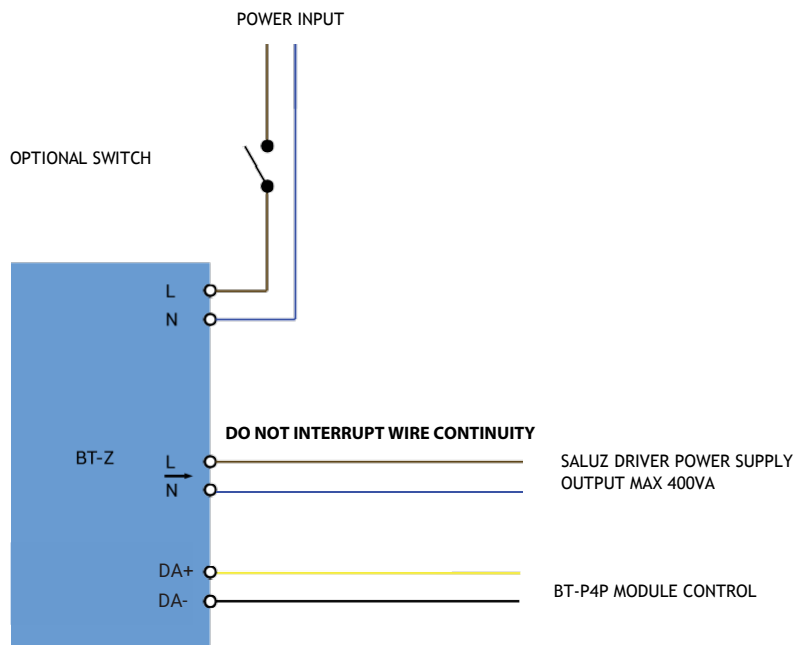
The BT-Z module allows you to control saluz(R) luminaires through the electrical network, facilitating installation. The control of the equipment connected to the module can be done through the Saluz Easy application or through buttons connected to a BT-P4P interface. The Saluz Easy application is available for iOS and Android, and will allow us to configure three different operating modes:

- Manual mode: which will allow us to create a certain atmosphere by configuring the parameters of color temperature and lighting intensity.
- Circadian mode: that will simulate the solar cycle of the location where it is installed.
- Timed mode: which will allow you to configure a personalized cycle for each of the days of the week.

Features

- Dimensions: 217 x 38 x 82 mm.
- Power supply: 230 Vac - 50/60 Hz.
- Luminaire output: 230 Vac - 50/60 Hz.
- Capacity: up to 400VA.
- Maximum cable length: 300 metres.
- Bluetooth LE communications module included.
- Input terminal section: 2x 2,5 mm².
- DALI input source included.
- "Reset" button to restore factory settings.
- "Link" indicator to inform about the status of operation and communications.

ELECTRIC SCHEME



Sede central / Headquarters

Parque Tecnológico de Asturias. C/ Ablanal, 1
33428 Llanera (Asturias).
España / Spain
normalink.es